



底 阀

Foot Valve



郑州孚瑞流体控制技术有限公司
ZHENGZHOU FREE FLUID CONTROL TECHNOLOGY CO., LTD



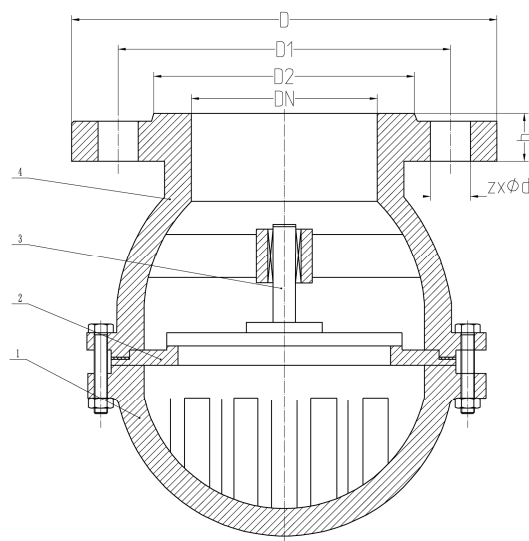
概述 General

H42H/X 该阀是一种节约能源的阀, 一般安装在水泵水下吸管的底端. 限制水泵管内液体返回水源, 起着只进不出的功能. 阀盖上有多个进水口和加强筋, 起到了不易堵塞, 主要应用在抽水的管路上. 阀瓣为单瓣, 连接方式为法兰连接.

FREE-VALVE' s foot valve is a kind of energy saving valve, usually installed at the bottom of the suction pipe of pump. The function of foot valve is preventing the water in the pipe flowing back to the water sources and only allow the water flow forward . As many inlet and stiffeners are designed on the valve bonnet , the valve is not easy to clog . The foot valve is usually applied at suction pipe . The valve disc usually designed as signal disc , and connection method is flange .

结构与原理 Structure and principle

本阀由阀体、阀瓣、阀盖、过滤网、密封圈等零件组成。阀瓣在进出压力作用下，做升降上下移动来实现阀门打开和关闭，即在流体的压力作用下，阀瓣打开；当泵停止工作后，出口管内的压力将阀瓣迅速关闭，液体将不会倒流回水源，起到了既畅通抽水又节约水能损失的作用。



1. 过滤网 Strainer basket 2. 阀座 Seat 3. 阀瓣 Disc 4. 阀体 Body

This valve is composed of valve body, disc, cover, **strainer basket**, sealing ring and other parts. The disc is moved up and down under fluid pressure drop between inlet and outlet to realize the valve opening and closing. That is to say, the valve opens under the pressure of the fluid; When the pump stops working, the valve will be shut off quickly under pressure of outlet pipe, and the liquid will not flow back to the water source, which will help the water suction pump and save water loss.

底阀性能规范 Performance

适用介质: 水、油、及腐蚀性介质

Application medium: water, oil and Corrosive medium

适用温度 Application Temperature: $\leq 300^{\circ} \text{C}$

主要部件材料: 铸钢, 不锈钢

Material of main parts: WCB, stainless steel

试验标准: GB/T13927

Test standard: GB/T13927

底阀主要外形尺寸 The main dimension

| NPS | D | D1 | Dz | b | zx ϕ d |
|-------|-----|-------|-----|------|-------------|
| 1 1/2 | 127 | 98.6 | 73 | 14.5 | 4x16 |
| 2 | 152 | 121 | 92 | 16 | 4x19 |
| 2 1/2 | 178 | 140 | 105 | 18 | 4x19 |
| 3 | 190 | 152.4 | 127 | 19.5 | 4x19 |
| 4 | 229 | 190.5 | 157 | 24 | 8x19 |
| 5 | 254 | 216 | 186 | 25.5 | 8x22 |
| 6 | 279 | 241.3 | 216 | 25.5 | 8x22 |
| 8 | 343 | 299 | 270 | 29 | 8x22 |
| 10 | 406 | 362 | 324 | 30.5 | 12x25 |
| 12 | 483 | 432 | 381 | 32 | 12x25 |

